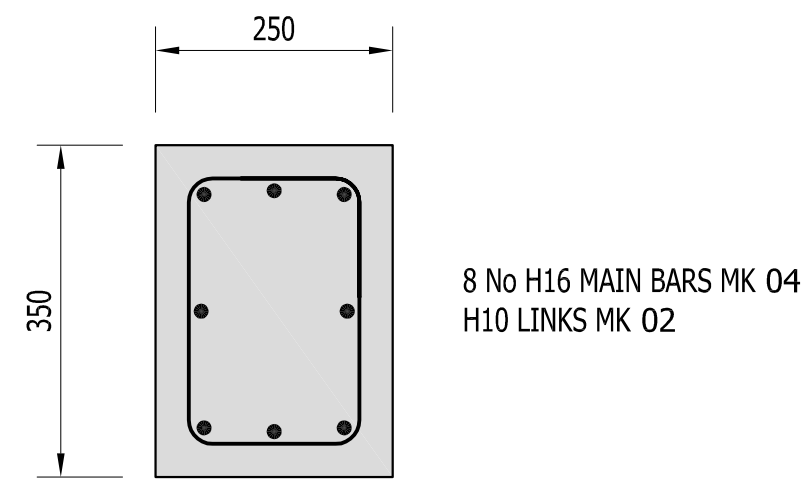
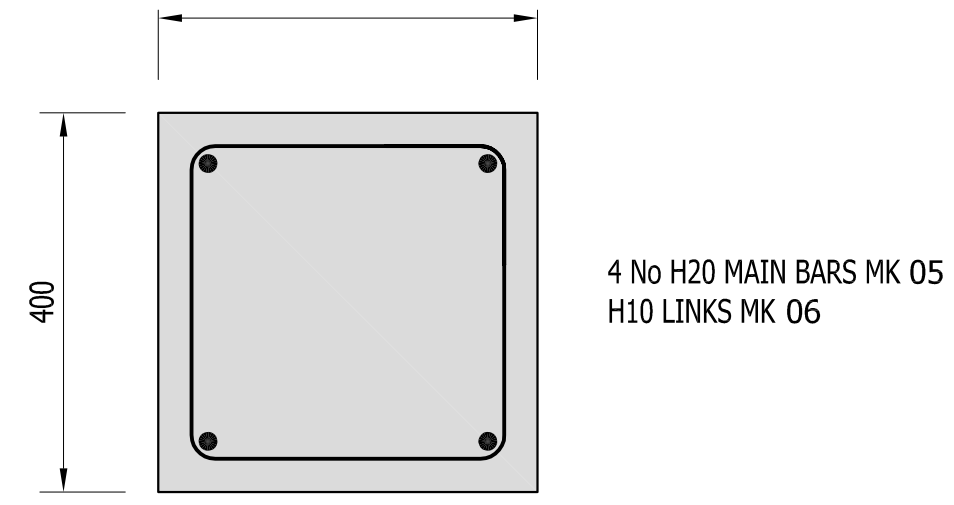


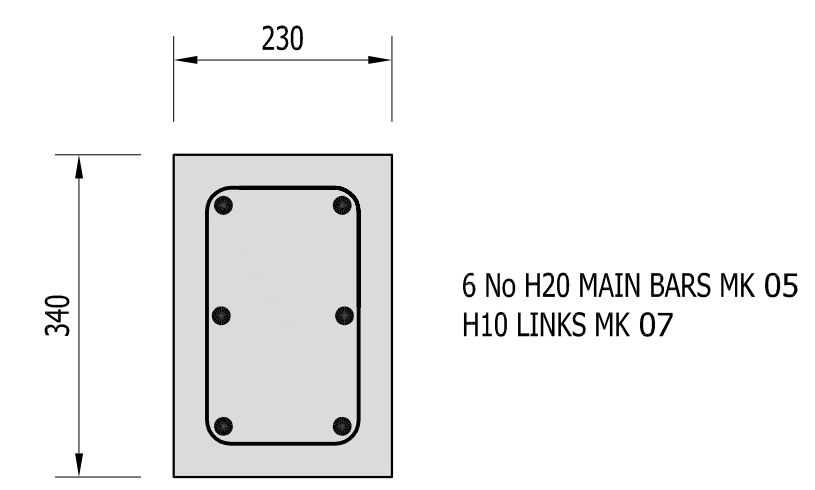
COLUMN CG1 (TYPE A)
5 No OFF
 Scale 1:10



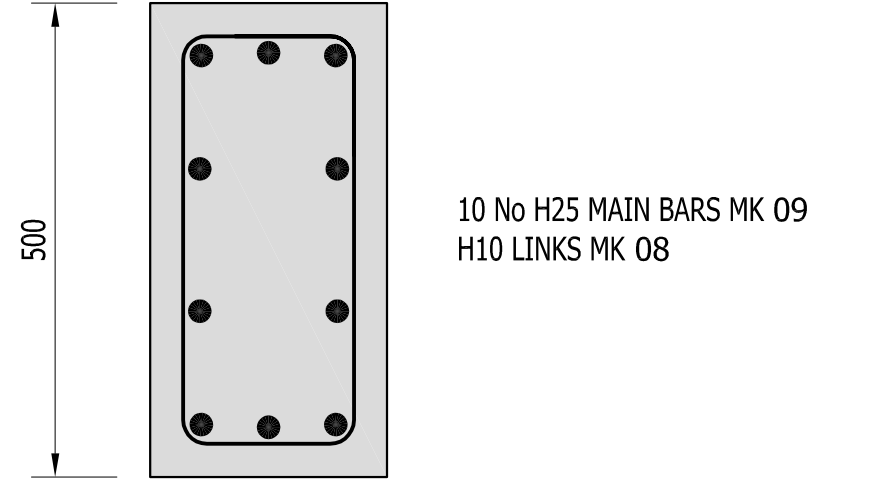
COLUMN CG2 (TYPE A)
3 No OFF
 Scale 1:10



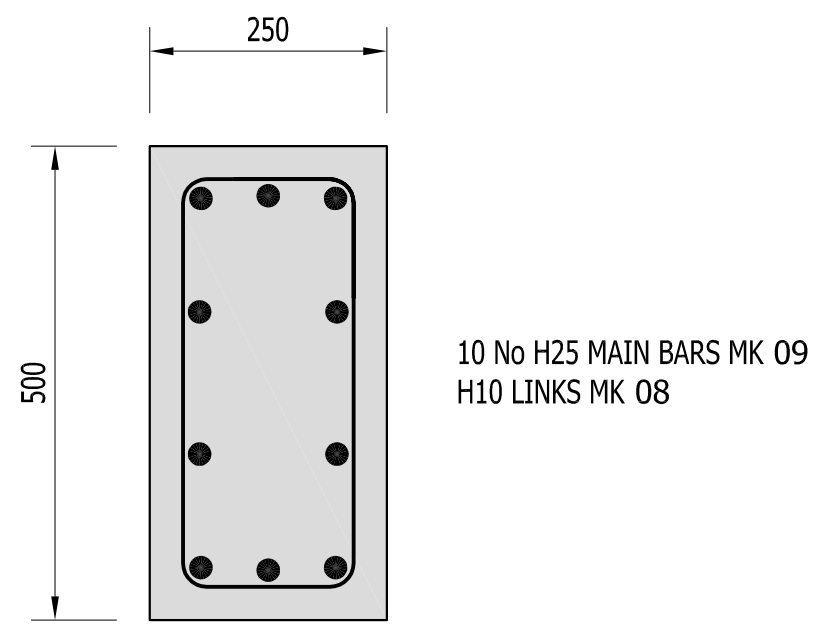
COLUMN CG3 (TYPE D)
3 No OFF
 Scale 1:10



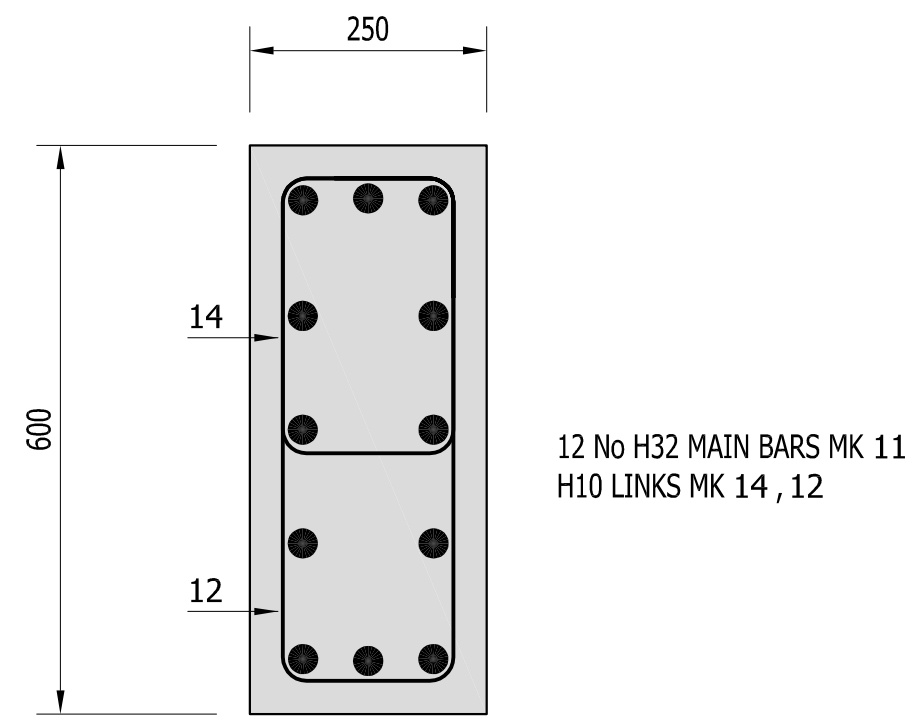
COLUMN CG4 (TYPE F)
2 No OFF
 Scale 1:10



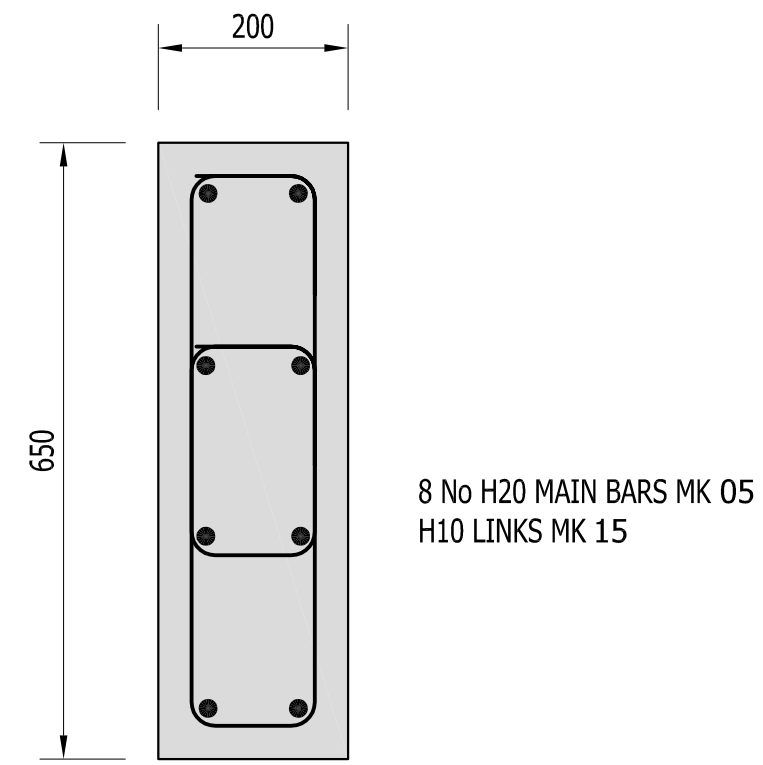
COLUMN CG5 (TYPE B)
5 No OFF
 Scale 1:10



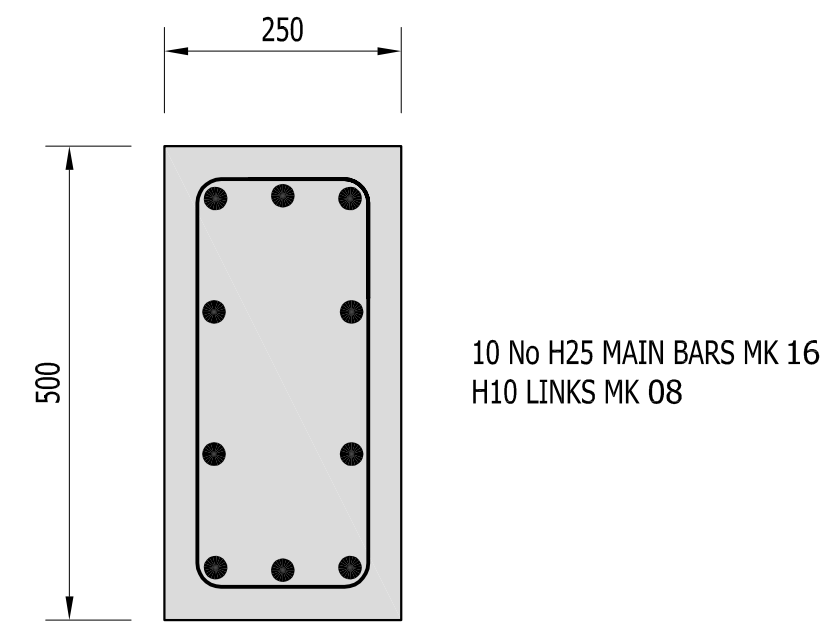
COLUMN CG6 (TYPE B1)
1 No OFF
 Scale 1:10



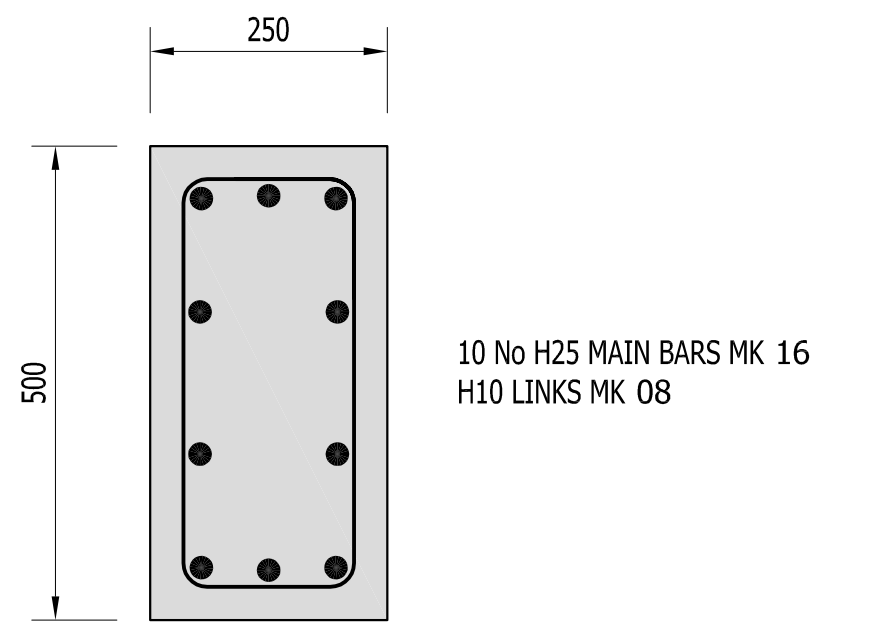
COLUMN CG7 (TYPE B3)
1 No OFF
 Scale 1:10



COLUMN CG8 (TYPE F1)
1 No OFF
 Scale 1:10



COLUMN CG9 (TYPE B)
2 No OFF
 Scale 1:10



COLUMN CG10 (TYPE B1)
1 No OFF
 Scale 1:10

FOR COLUMN ELEVATIONS SEE DRAWING 12-2172/611

COLUMNS GROUND TO FIRST FLOOR				
REF	TYPE	SIZE	No REQ'D	LENGTH (See Dwg/520)
CG1	A	350x250	5	3450mm
CG2	A	350x250	3	3150mm
CG3	D	400x400	3	3450mm
CG4	F	340x230	2	3450mm
CG5	B	500x250	5	3450mm
CG6	B1	500x250	1	3450mm
CG7	B3	600x250	1	3450mm
CG8	F1	650x200	1	3450mm
CG9	B	500x250	2	4250mm
CG10	B1	500x250	1	4250mm