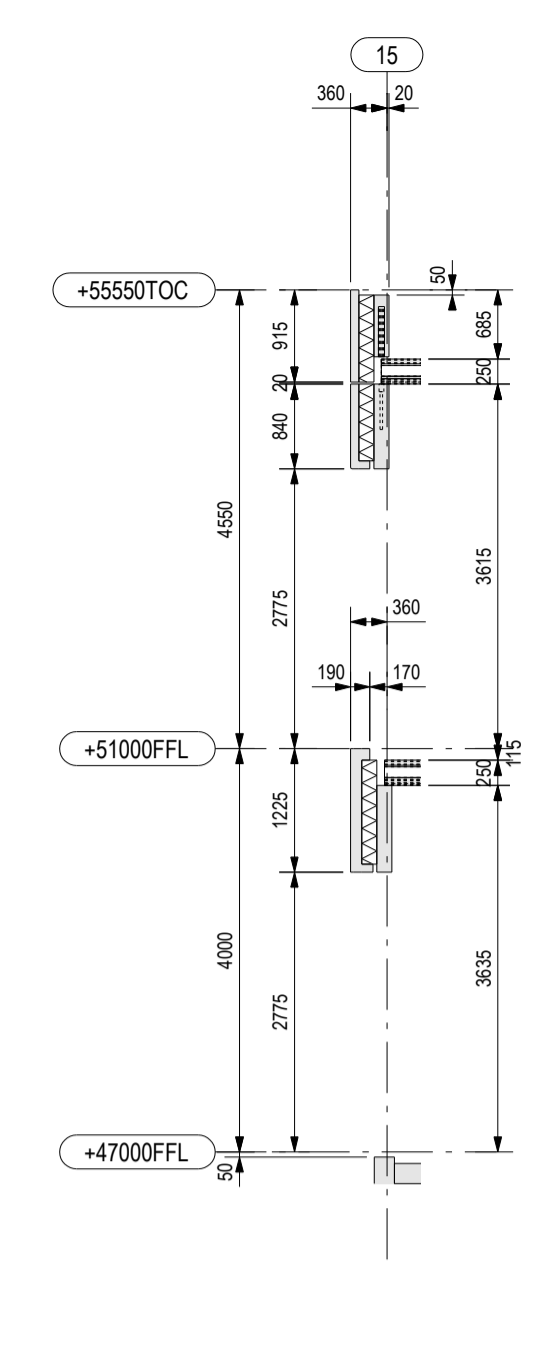
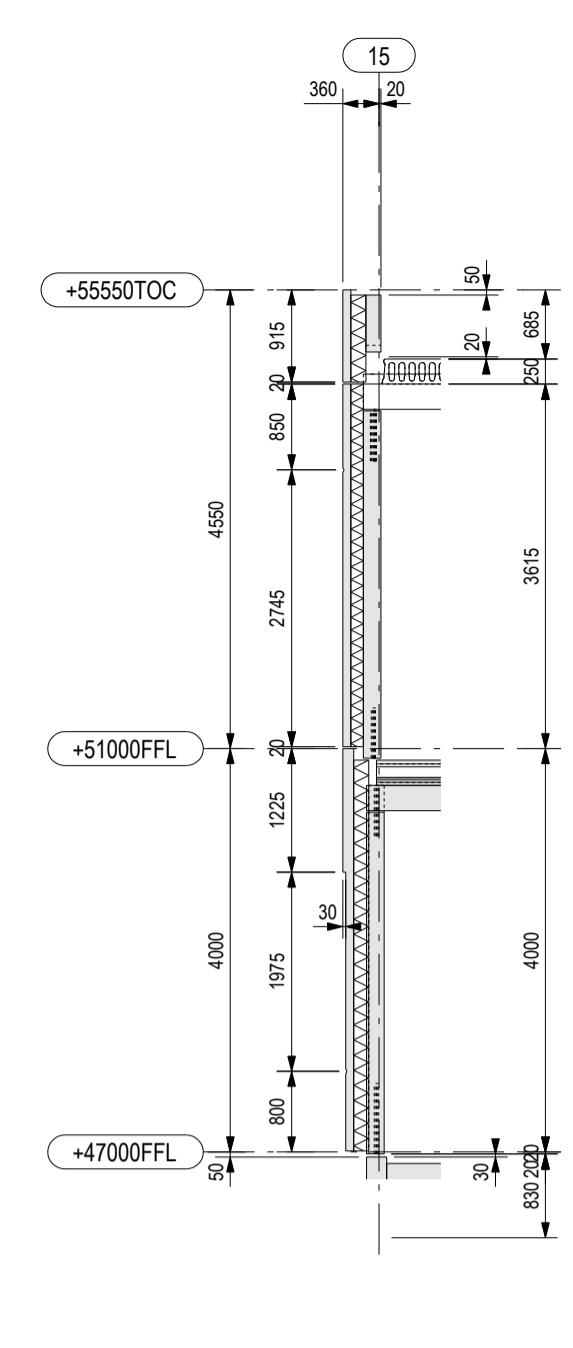


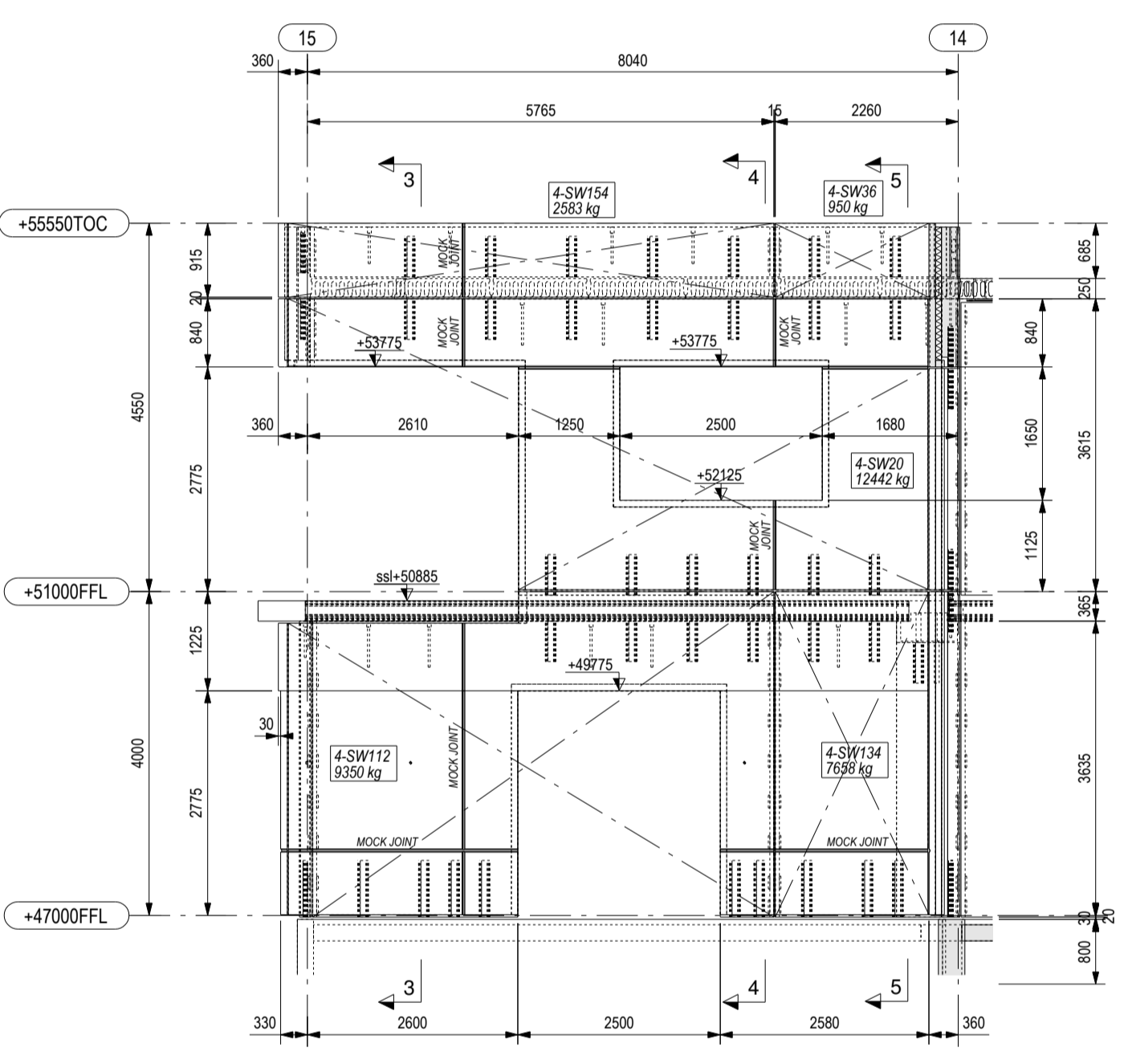
D - D 1:75
400



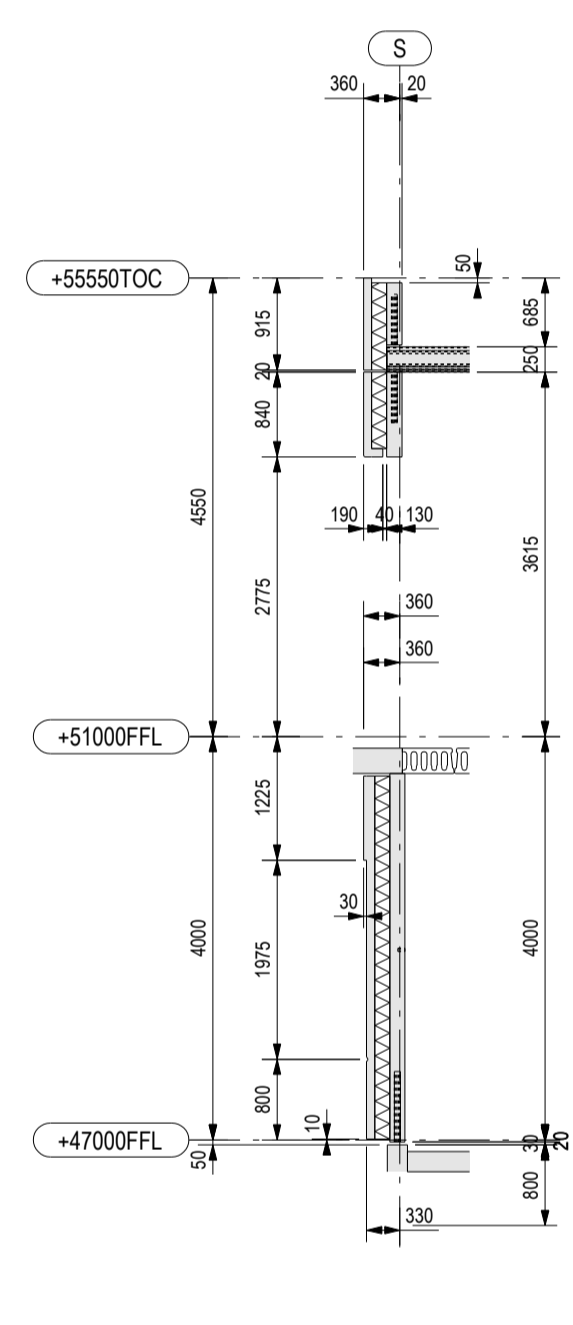
1 - 1 1:75



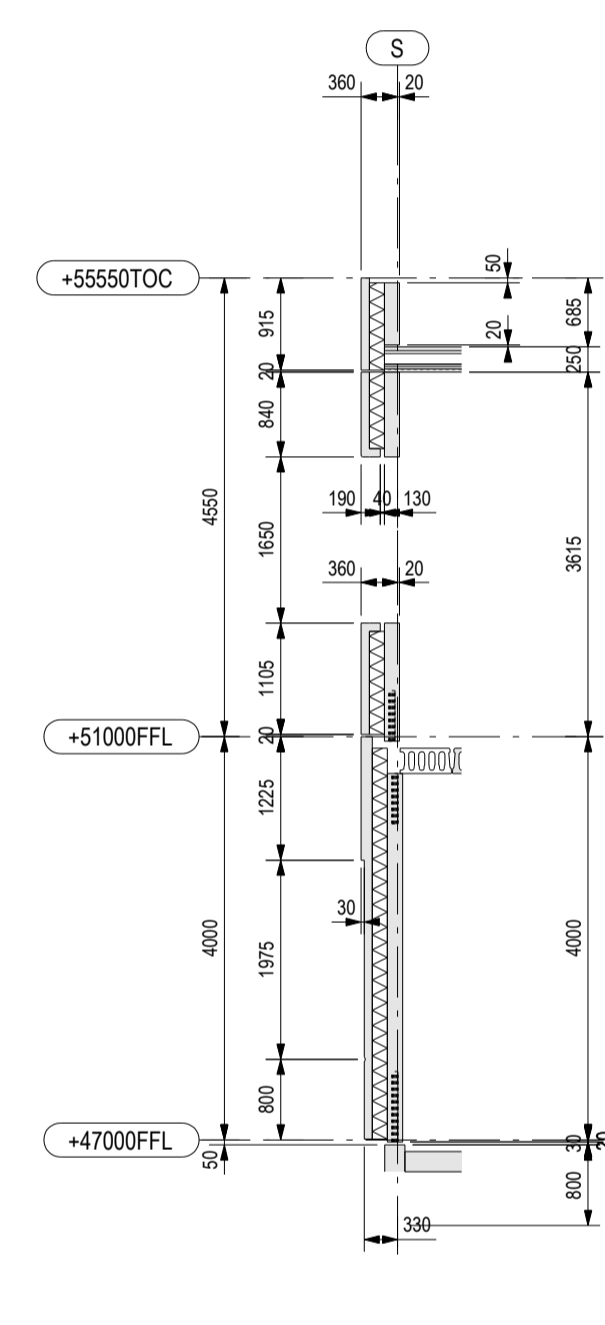
2 - 2 1:75



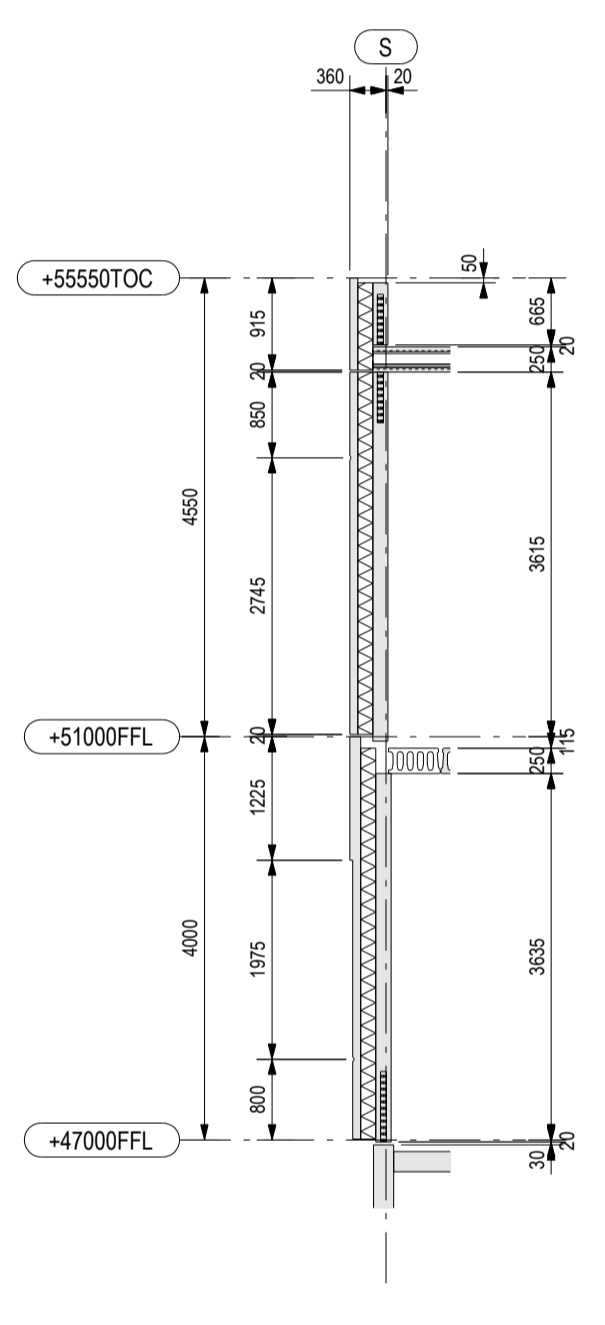
E - E 1:75
400



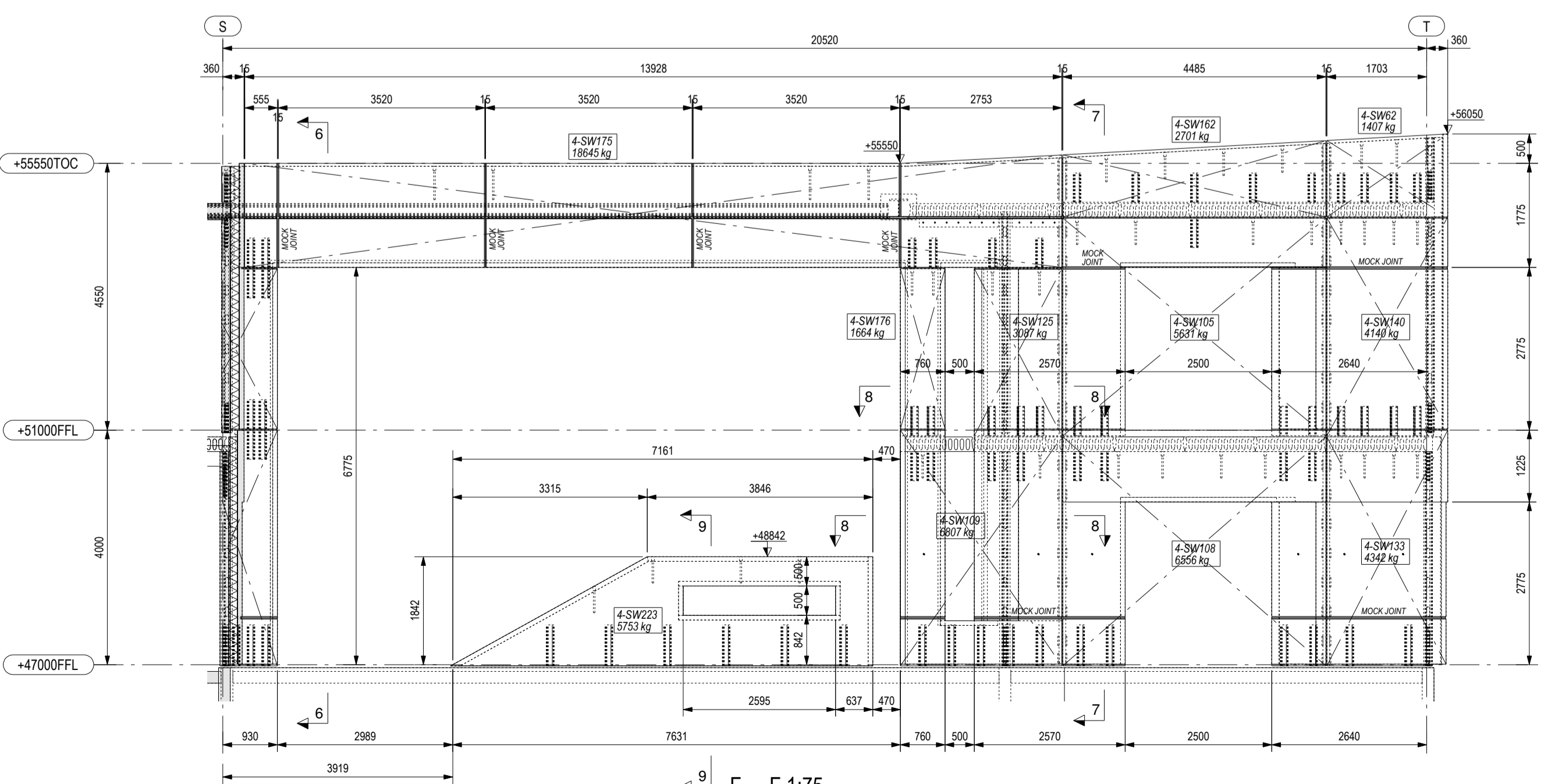
3 - 3 1:75



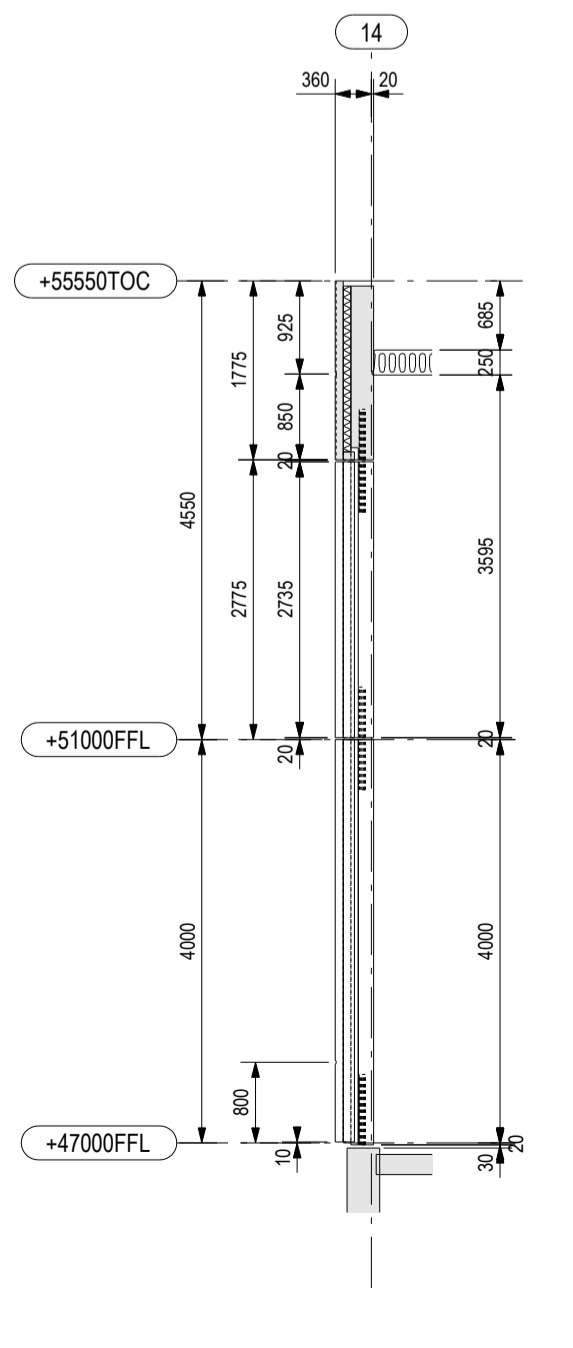
4 - 4 1:75



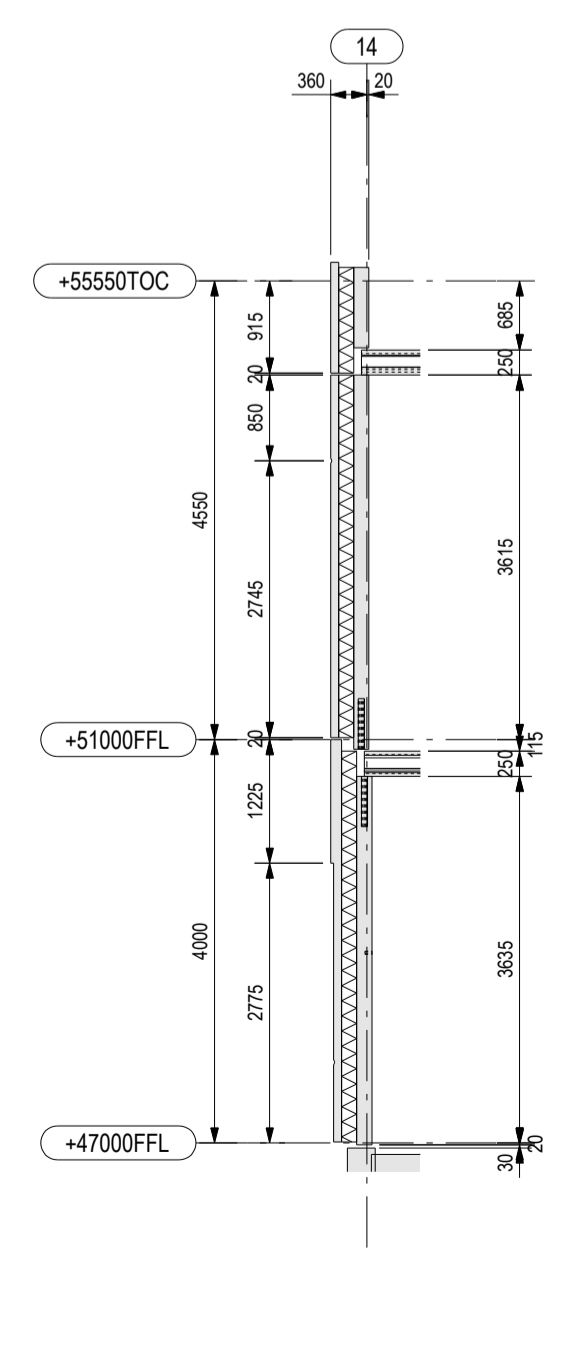
5 - 5 1:75



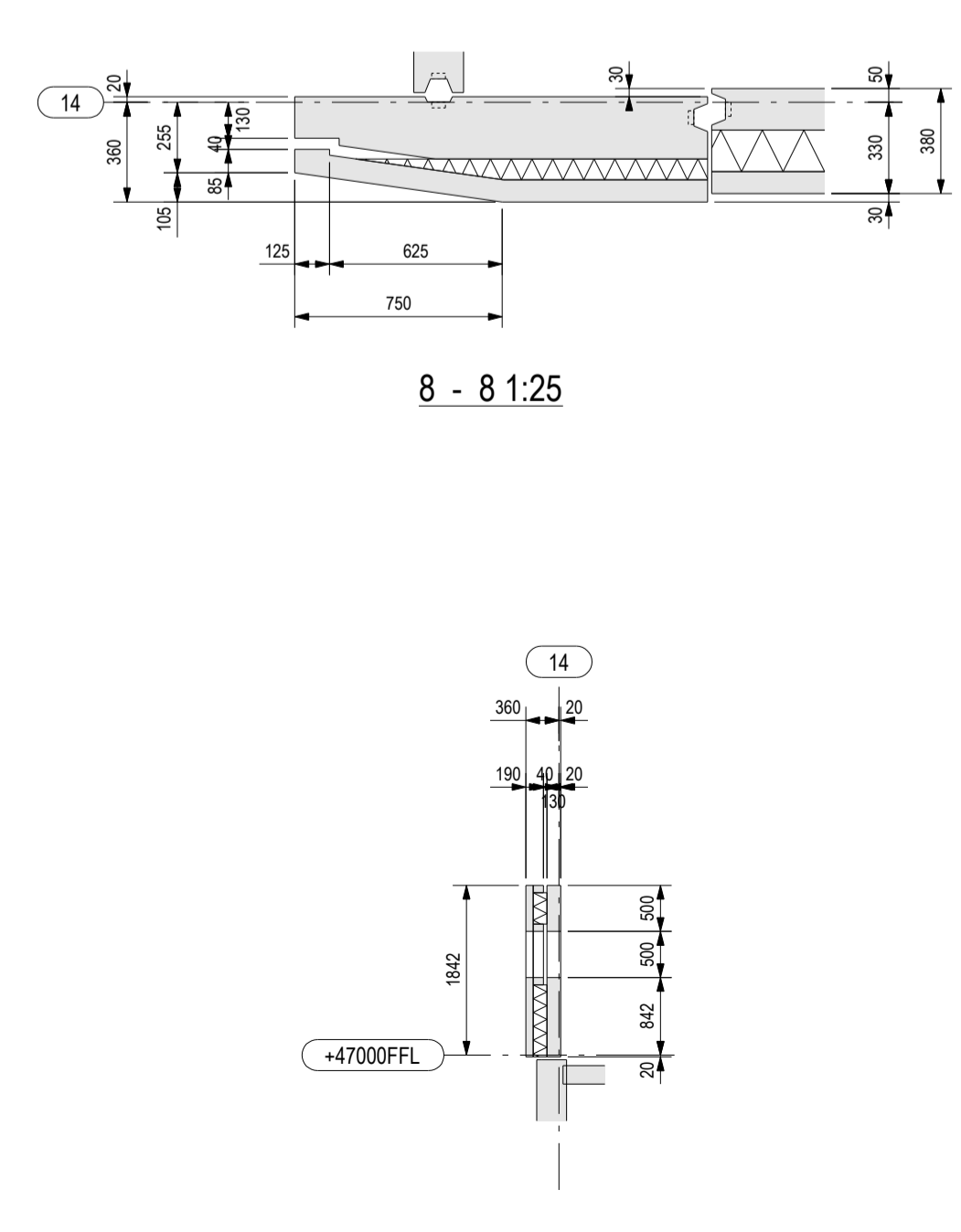
F - F 1:75
400



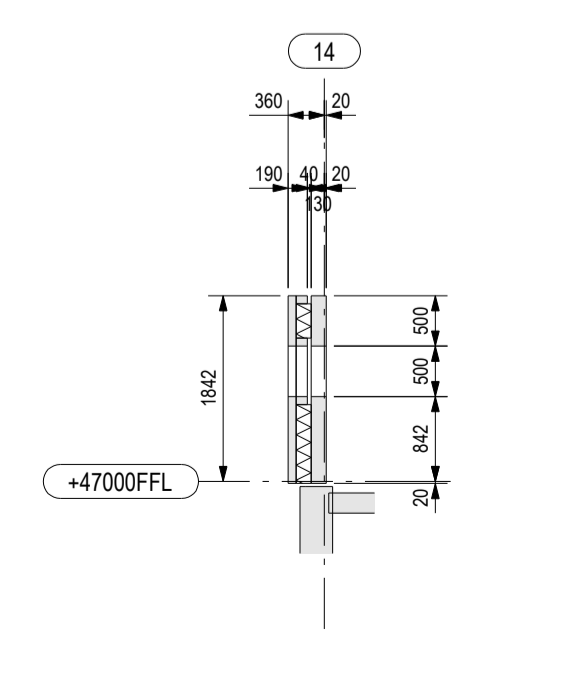
6 - 6 1:75



7 - 7 1:75



8 - 8 1:25



9 - 9 1:75

General Notes:

1. This drawing to be read in conjunction with all relevant architects and engineers drawings and specifications.
2. All dimensions must be checked and approved by the main contractor.
3. Any changes in loadings should be discussed with Creagh Concrete limited
4. Units should not be cut without discussing with Creagh Concrete Ltd. technical department.
5. No variation to the details shown is permitted without prior confirmation by Creagh Concrete.
6. Bearing surfaces for Creagh units must be level.

C1	18.07.11	MD	S.K.	ISSUED FOR CONSTRUCTION
Rev.	DATE	MADE BY	CHECKED BY	REVISION NOTES
<p>CREAGH CONCRETE PRODUCTS LTD Blackpark Rd, Toomebridge, Co. Antrim, N. Ireland. BT14 3SE Tel : 028 79650500 Fax : 028 79650804</p>				CONTRACTOR
				CONTRACT
CONTRACTOR				PHIL UK
CONTRACT				COWES ONE PATHFINDER ISLE OF WIGHT
TITLE				PHASE 4 ELEVATIONS SHEET 2
DRAWN BY:	MD	CHECKED BY:	SK	INSPECTED BY:
DATE:	12.04.11	DATE:	12.04.11	DATE:
BASE SCALE:	1:75	ISSUE STATUS:	CONSTRUCTION	
CONTRACT No.	11-0141	DRG. No.	412	REV. C1

Telia structures